



JINGGONG VALVE

满足流体系统控制**更高标准**  
MEETS HIGHER STANDARDS FOR FLUID SYSTEM CONTROL

精工阀门，您身边的流体技术专家  
我们致力于您的成功！

Jinggong valve, the fluid technology expert beside you  
We are committed to your success!

## 快切盲板阀 Quick-cut Blind Valve



**郑州精工阀门有限公司**  
ZHENGZHOU JINGGONG VALVE CO.,LTD.

地址: 河南省荥阳市高山镇创业路(450135)  
电话: 0371-6496 1309 6497 1309  
传真: 0371-6496 2509

ADD: Chuangye Road, Gaoshan Town, Fuyang City, Henan Province(450135)  
TEL: 86-371-6496 1309 6497 1309  
FAX: 86-371-6496 2509

Http://www.zzjgfm.com  
E-mail:jinggongdiefa@126.com

郑州精工版权所有。产品有专利保护。侵权必究法律责任。本样本仅介绍了部分产品。若有改动，恕不通知。请联系我司索取最新版本。  
Zhengzhou jinggong valve Co., Ltd. All rights reserved. The products have patent protection and the infringement must be investigated for legal responsibility.  
This sample only introduces some products. If there are any changes, please do not inform us, please contact us for the latest version.

设计策划: 中闻传媒

**郑州精工阀门有限公司**  
ZHENGZHOU JINGGONG VALVE CO.,LTD.

精工阀门  
您身边的流体技术专家  
我们致力于您的成功

Jinggong valve  
Fluid technology expert around you  
We are committed to your success

精于心

Sincere thought  
Craftsman quality

工于诚



郑州精工阀门有限公司位于被誉为“中国阀门之乡”的河南省荥阳市高山镇，是一家集开发设计、生产制造、销售服务于一体的高新技术企业。从二十世纪八十年代初至今，经过三十多年的发展，我公司已成为一家专业生产阀门的大型企业。公司注册资本10318万元，总投资7000多万元，占地面积2.6万平方米，拥有专业厂房和现代化办公楼。

现有资质认证:TS特种设备许可证、ISO9001质量体系认证、ISO14001环境体系认证、18001职业健康安全管理体系认证、欧盟CE认证、国家电力入网证书、中国石油入网证书、化工行业入网证书、建设部推荐产品、中国给水排水成员、城市天然气入网证书、自来水卫生许可证等。

主要产品有:PN0.25—PN40MPa、DN100—DN6000、蝶阀系列:软密封蝶阀、硬密封蝶阀、尘气蝶阀;球阀系列:偏心半球阀、焊接球阀;控制阀系列:活塞式流量调节阀;闸阀、截止阀系列:橡胶密封闸阀;止回阀系列:液控止回阀、大偏心止回阀;补偿接头系列;排气阀系列;盲板阀、插板阀系列;管道附件等。产品应用范围:水利工程、城市给排水、污水处理、电力、石油、化工、供暖、制药、冶金等。

我们的宗旨是:忠诚于客户,优化管理,严谨务实;我们的目标是成为中国供水行业第一,使精工品牌处于领先地位。我们愿与各国各界朋友真诚合作,共创美好未来。

ZHENGZHOU JINGGONG VALVE CO.,LTD is located in “the valve country of China”, Gaoshan Town, Xinyang City, Henan Province. It is a high-tech enterprise in one line of development and design, production and manufacturing, sales and services.

From the early 1980s till now it has gone through over thirty years and developed into a large specialist manufacturer of valves. With 103,180,000 RMB of registered capital and more than 70,000,000 RMB of total investment, it covers an area of 26,000 square meters and owns professional workshops as well as modern office buildings.

Current qualification certifications we have: TS Special Equipment License, ISO9001 Quality System Certification, ISO14001 Environment System Authentication, 18001 Occupational Health and Safety Management System Certification, The European Union CE Certification, Certificate of National Electronic Power Net, Certificate of China's Oil Net, Certificate of Chemical Industry into the net, The ministry of construction recommend products, A member of the Chinese water supply and drainage, Certificate of city gas network, Tap water health licensing certificate, etc.

Main products we design and product: PN0.25-32MPa, DN100-6000, Soft sealing butterfly valves, Metal sealing butterfly valves, Gate valves, Blind flange valves, Telescopic devices, Resilient seated gate valves, Hydraulic control valves, Check valves, Eccentric semi-ball valves, Exhaust valves, Square brake valves, Rounded brake valves and Piping attachments, etc.

Applied ranges of our products: Water engineering, City water supply and drainage, Sewage treatment, Electric power, Petroleum, Chemical industry, Heating, Pharmaceuticals, Metallurgy, etc.

Our aim is: loyalty and customer, optimization management, rigorous and pragmatic; what we aim to do is to get NO.1 in China's water delivery industry and make JINGGONG brand leading position. We do wish to cooperate sincerely with friends from all countries and fields and create a beautiful future together.

# WHAT IS LINE BLIND?



[ Typical Process ]



[ ZZJG Process ]

## ZZJG LINE BLIND VALVE

Line blinds have been used in pipelines where complete shut-off or full flow without a pressure drop is required. Generally, blinding (or blanking) a line is a costly, labor intensive process requiring several personnel, heavy tool and machinery. In addition to the typical methods of blinding a line, the lengthy process exposed operators to various hazards including inhalation of potentially toxic fumes, spills and the risk of explosion. The ZZJG Line Blind incorporates a simple and durable design that has been developed to provide absolute shut-off, long life and cost-efficient service with minimum maintenance. The unique opening-closing mechanism of the ZZJG Line Blind allows one person to blind pipelines quickly and safely without any tools or equipment.

- **Absolute Shutoff**  
Zero leakage to downstream
- **Quick Change**  
Blinding can safely be completed within only minutes
- **Only One Operator**  
Easy and safe blinding requiring only one operator
- **Friction-free**  
Gear-set system provides perfect isolation without any contact or rub of gasket
- **No Line Stretching / Spreading**  
No stress on pipeline during operation (except EX&Jackbolt types)
- **Cost Saving**  
Reduces maintenance hours, saving man-hour costs
- **No Tools Required**  
A simple hand-wheel operation. No need for tools to provide completed shut-off
- **Safe**  
Prevention of potential hazards such as toxic fumes, spills of product and risk of explosion
- **Simple Structure**  
Minimum maintenance requiring only the replacement of sealing
- **Non-sticking Mechanism**  
Unique Gear-set system prevents sticking problem of blind plate

- Tank Farm
- FPSO
- Loading Stations
- Ethylene Furnaces
- COG(Coke Oven Gas)
- BFG(Blast Furnace Gas)
- Mixing Lines
- Fuel Lines
- Shipboard Lines
- Flares
- Clean Out Ports
- Tank Vent
- Pump Isolation
- LNG Ships
- Product Isolation
- Reactor Blow Down
- Filtration Systems
- FSO
- Steam Lines
- Inert Gas / Nitrogen Gas
- Chemical Cleaning Isolation
- Lock Out Tag Out Systems
- Vessel Inlets
- FCC Unit



Naphtha, Diesel, Para-Xylene



Coke Oven Gas(AOV automation)



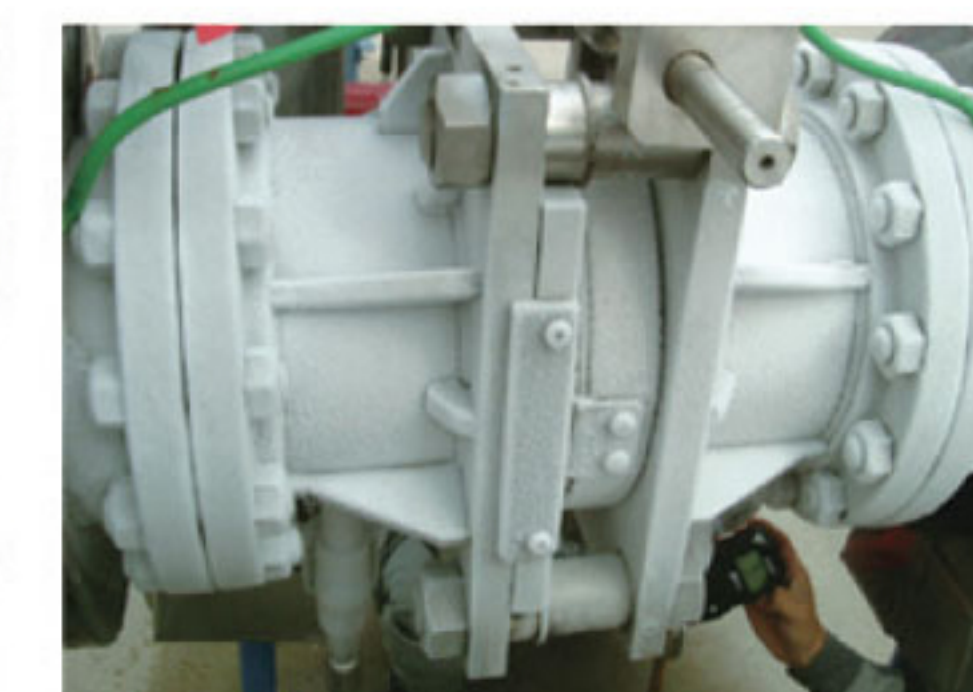
Natural Gas



Product Carrier Tank Isolation



JET-Fuel(MOV Automation)



Cryogenic Service(LNG/Ethylene)



Tank Farm



Loading Arm Construction

# APPLICATIONS



Iron &amp; Steel Mill



VCM, RPG, Mix-Xylene



Chemical Terminal



Acetic Acid, Methyl Acetate



Ethylene, Propylene, SM



Regeneration Gas



Gas Oline and MTBE



Chemical Cleaning



Butadine



Heat Exchanger-Bypass Line



HDPE



On Board Vessel

# PRODUCTS

## SLIDING TYPE BLIND VALVE



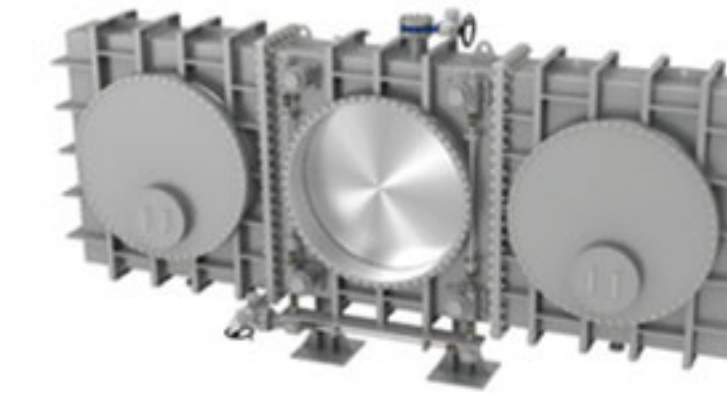
Sliding type line blind has a unique gear set mechanism that makes a gap to slide in/out a blind plate without pipe joint stretching. It provides safe and time efficient blinding process. ZZJG's sturdy and simple design creates highly reliable and durable line blinds using the most advanced technology.

## SWING TYPE BLIND VALVE



Swing type line blind is one of the most popular line blinds that an operator can use to quickly and efficiently isolate a pipeline safely. ZZJG's unique design provides non-stretching operation that can prevent pipe joint stress caused by stretching movement.

## GOGGLE TYPE BLIND VALVE



Goggle type line blind is a good solution to isolate large diameter high temperature and/or toxic gas pipelines for maintenance and inspection.

## AUTOMATED BLIND VALVE



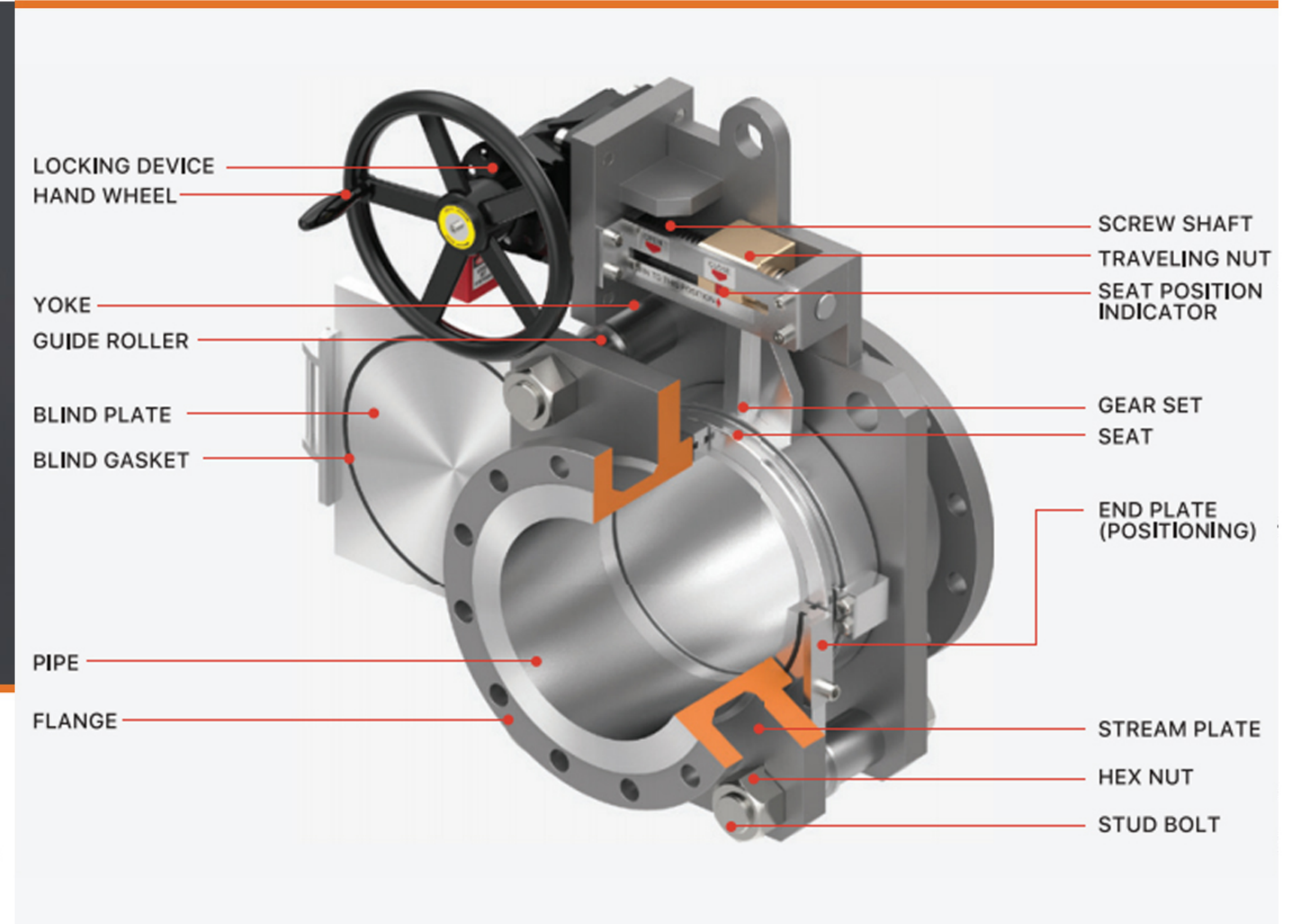
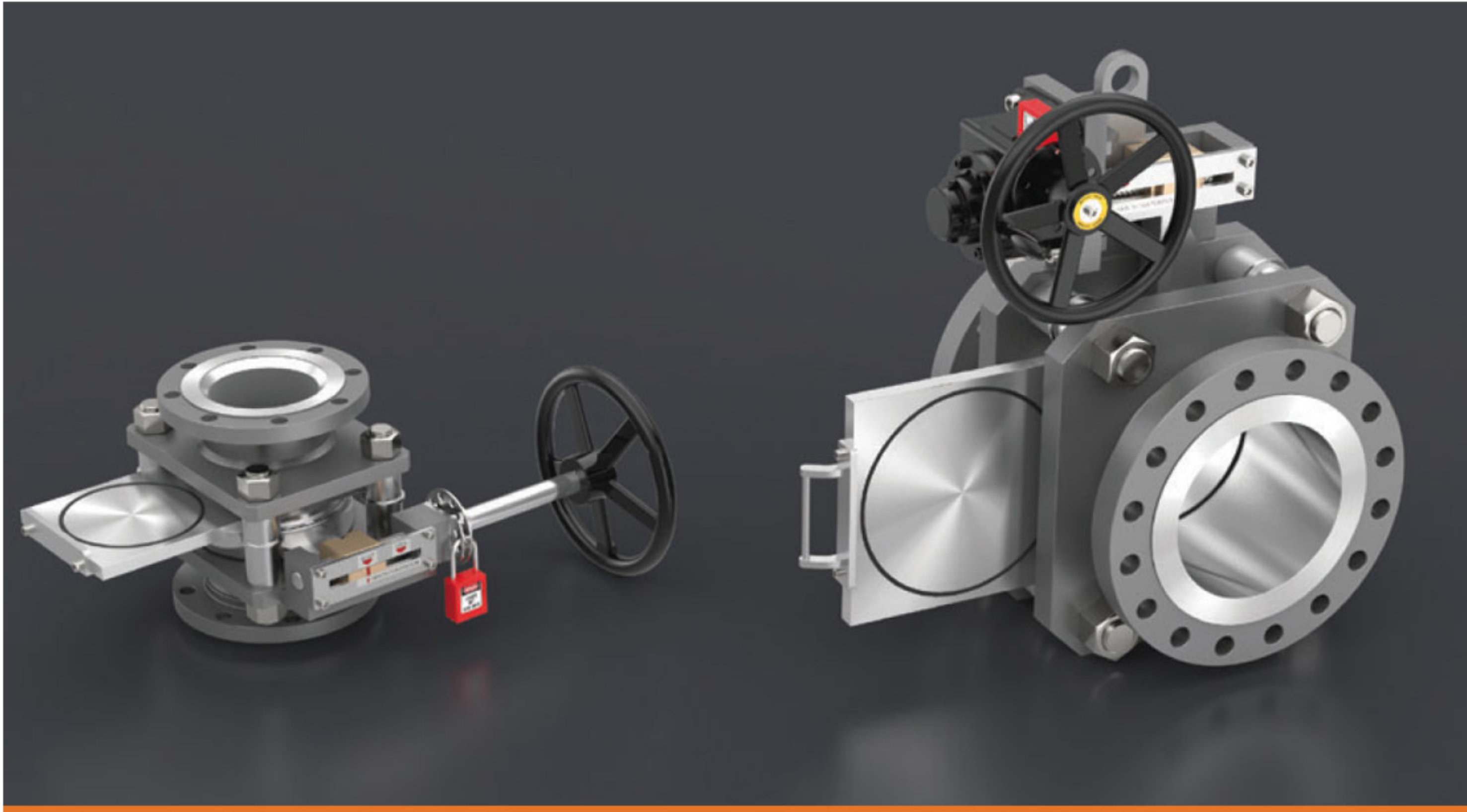
Automatic Line Blind is good for remotely controlled blinding operation, high frequency of on-off cycle and/or critical fluid applications. ZZJG Line Blind provides automated blinding system by AOV, MOV or oil hydraulic source.

## SLURRY/POLYMER TYPE



Slurry/Polymer type line blind offers perfect isolation for viscous fluid or liquid-solid mixture application. ZZJG's dual gear-set provides complete blinding without friction of the line, and specially designed scraper removes debris on blind plate.

# SLIDING TYPE BLIND VALVE



## SLIDING TYPE

### GENERAL INFORMATION

#### INSTRUCTION & FEATURES

Sliding type line blind has a unique gear set mechanism that makes a gap to slide in/out a blind plate without pipe joint stretching. It provides a safe and time efficient blinding process. ZZJG sturdy and simple design creates highly reliable and durable line blinds using the most advanced technology.

#### TECHNICAL SPECIFICATIONS

##### NOMINAL DIAMETER

NPS 1/2 (DN15) - NPS100 (DN2500)

##### PRESSURE RATING

ASME Class 150 to Class 1500  
Other pressure classes up to ASME 2500  
# available upon request

##### FUNCTION

Gas & Liquid Perfect Isolation (Zero Leakage)

##### TEMPERATURE RANGE

Standard Design : -20°C ~ +200°C  
High Temp. Design : +200°C ~ +816°C  
Cryogenic Design : -196°C

##### MATERIALS

BODY : Carbon Steel, Stainless Steel, Special Material (Duplex, Hastelloy, Monel, Inconel etc.)  
BLIND : Stainless Steel, Special Material (Duplex, Hastelloy, Monel, Inconel etc.)  
MOVING PARTS & SEALING SURFACE are Anti-corrosion Materials

##### OPERATION METHOD

Manual Operation  
Electric, Pneumatic or Hydraulic Operation

## APPLICATIONS

### • REFINERY

- > Ethylene Furnace
- > Decoking line
- > Steam & Vapor line
- > FCCU Fractionator isolation (overhead & bottom line)
- > Catalyst service
- > Flare gas line

### • CHEMICAL PLANT

- > Reactor Blowdown
- > Chemical Cleaning isolation
- > Mixing lines
- > Regeneration gas line
- > Filtration system
- > Loading station
- > Transfer line

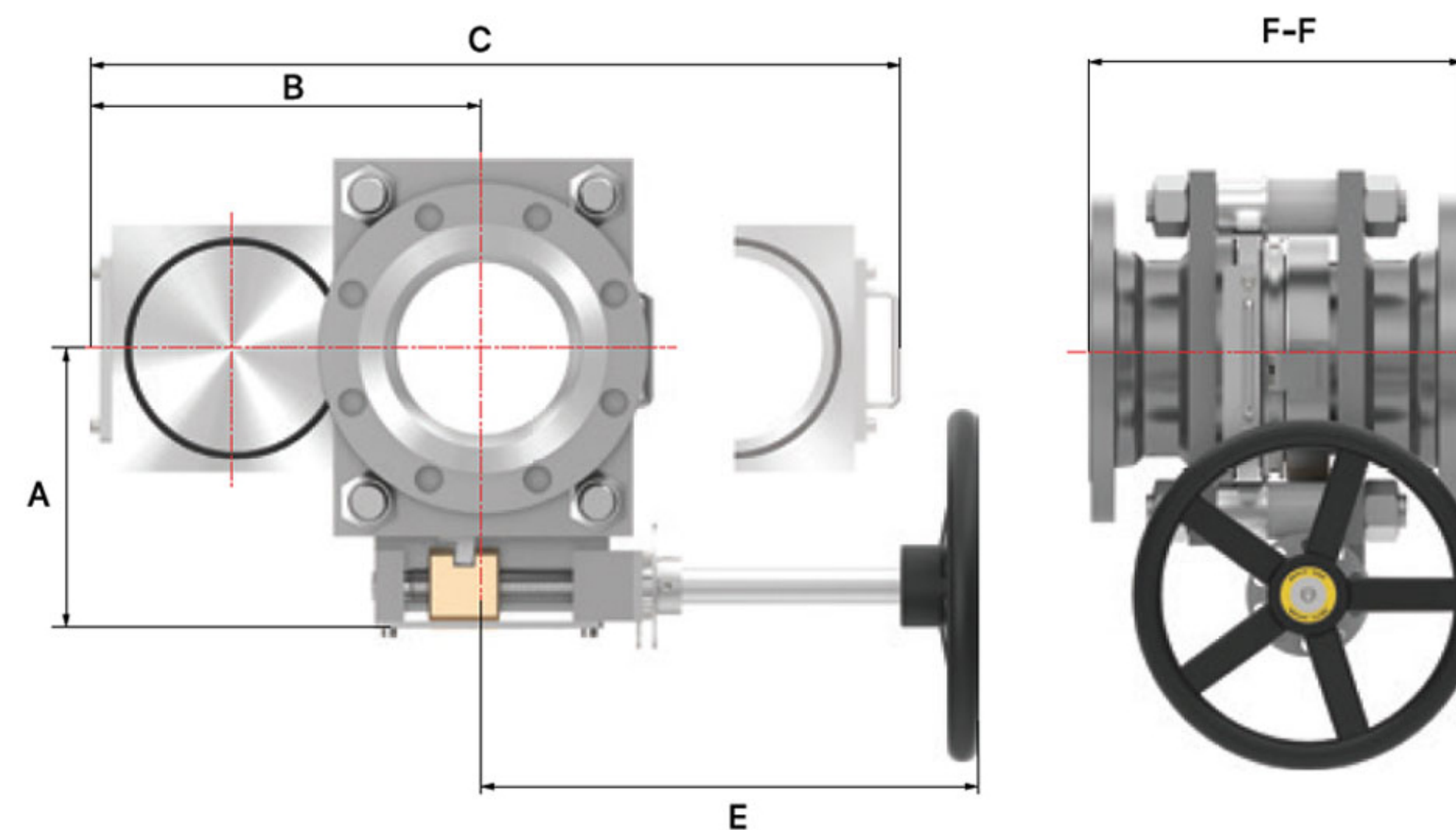
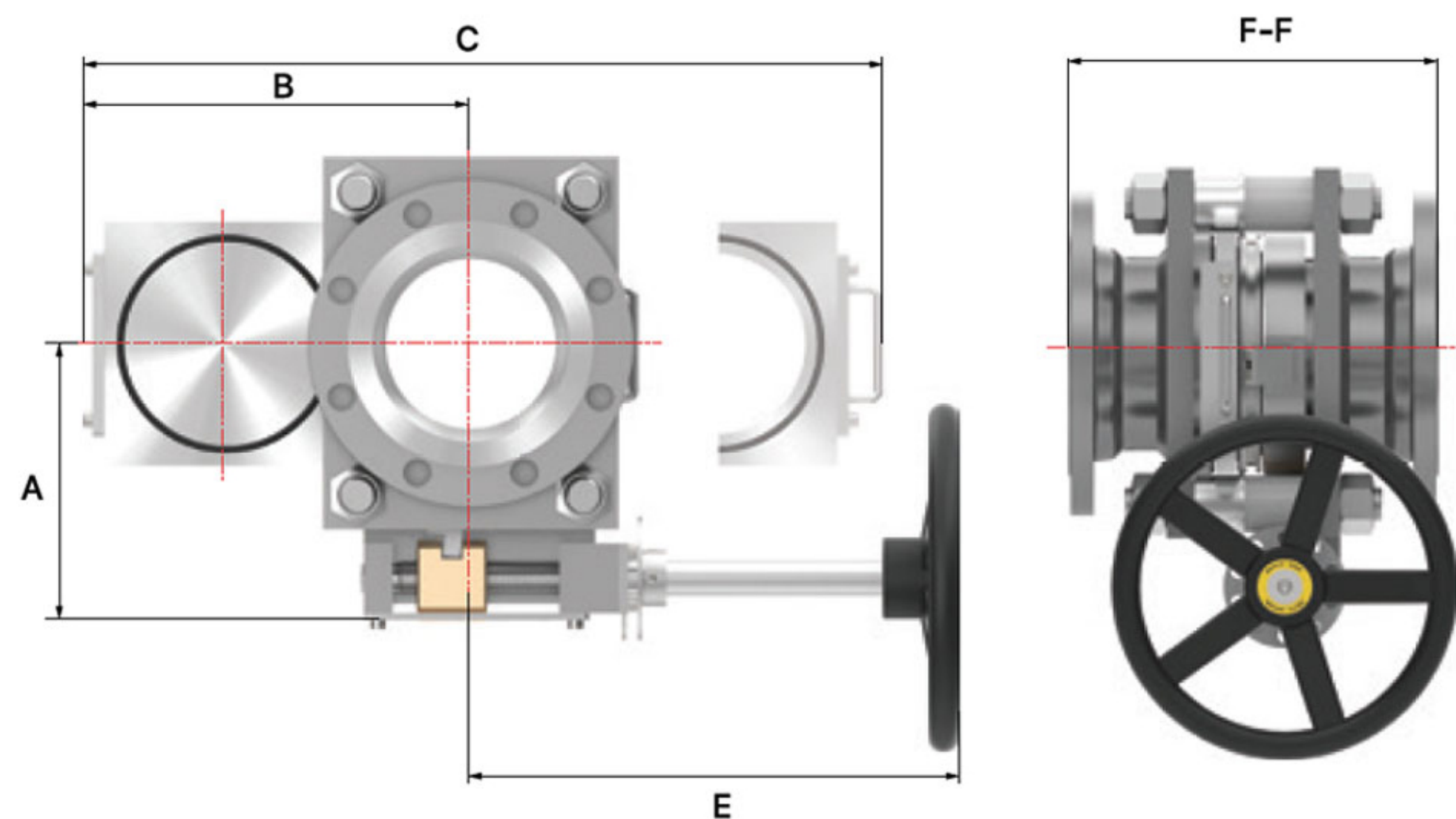
### • OFFSHORE

- > FPSO
- > LNG ship
- > Shipboard lines
- > Vessel inlet
- > Inert Gas system

### • STEEL

- > Coke Oven Gas
- > Blast Furnace Gas

# SLIDING TYPE BLIND VALVE



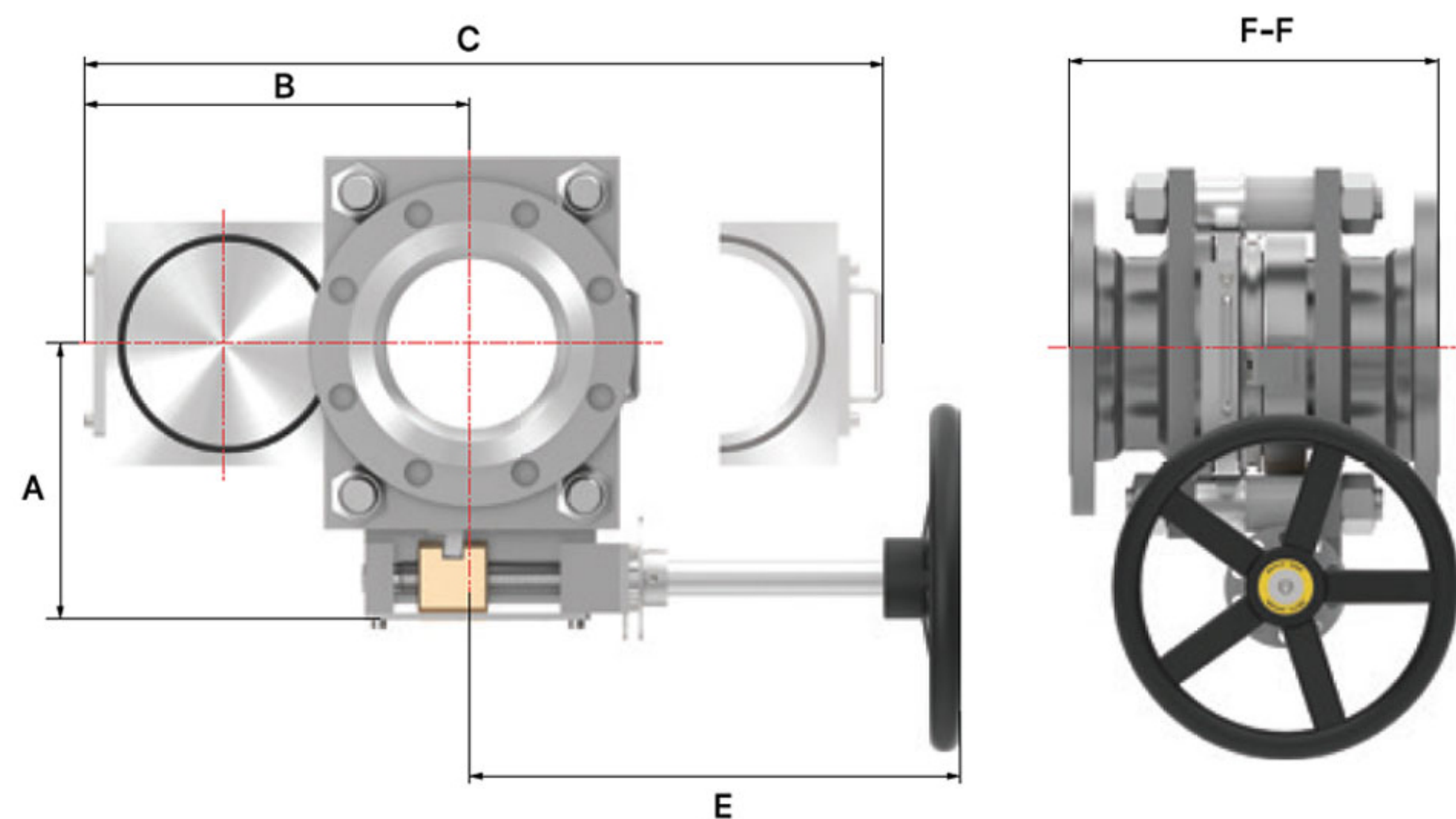
## Class 150

Size		F-F	A	B	C	E	kg
inch	DN						Weight(NET)
1	25	190	99	116.5	233	174.5	10
1-1/2	40	210	115.6	142.5	285	205	16
2	50	230	134.5	166	332	234	27
2-1/2	65	240	146.5	185	370	260	30
3	80	270	168.5	211	442.4	320	35
4	100	280	187	244	508.4	340	49
6	150	320	233	333	687	427	87
8	200	360	331	415.5	859	335.5	145
10	250	380	362	525	1025.2	370	215
12	300	430	397	611	1198	380.6	312
14	350	470	483.6	685	1370	426.7	450
16	400	540	518	759.5	1519	436.5	600
18	450	560	575	856.5	1713	526.2	780
20	500	660	619	940	1880	527	900
24	600	720	750	1104	2202	659.5	1500

## Class 300

Size		F-F	A	B	C	E	kg
inch	DN						Weight(NET)
1	25	200	99	116.5	233	174.5	11
1-1/2	40	240	119	142.5	285	205	18
2	50	245	134.5	166	332	234	30
2-1/2	65	270	146.5	185	370	260	36
3	80	320	177	211	442.4	300	58
4	100	360	193.5	241	502	329	62
6	150	410	255	354	687	427	130
8	200	460	341	443	858	338	210
10	250	510	402	525.5	1025	381.1	300
12	300	570	468	618.5	1205	421.3	430
14	350	650	498	691.5	1383	410.6	540
16	400	720	594	789.7	1579.5	531.5	690
18	450	730	644	885	1770	545.7	950
20	500	800	645	940	1880	533.8	1800
24	600	850	800	1120	2240	665.5	2800

# SLIDING TYPE BLIND VALVE



## Class 600

Size		F-F	A	B	C	E	kg
inch	DN						Weight(NET)
1	25	210	99	116.5	233	174.5	12
1-1/2	40	260	119	142.5	285	205	20
2	50	280	134.5	166	332	234	35
2-1/2	65	300	146.5	185	370	260	40
3	80	360	177	211	442.4	300	65
4	100	410	193.5	241	502	329	70
6	150	500	255	354	687	427	160
8	200	570	341	443	858	338	260
10	250	630	402	525.5	1025	381.1	370
12	300	690	468	618.5	1205	421.3	520
14	350	770	498	691.5	1383	410.6	640
16	400	880	594	789.7	1579.5	531.5	850
18	450	900	644	885	1770	545.7	1180
20	500	990	645	940	1880	533.8	2230
24	600	1100	800	1120	2240	665.5	3630

# SWING TYPE BLIND VALVE



## SWING TYPE

### GENERAL INFORMATION

#### INSTRUCTION & FEATURES

Swing type line blind is one of the most popular line blinds that an operator can use to quickly and efficiently isolate a pipeline safely. ZZJG unique design provides non-stretching operation that can prevent pipe joint stress caused by stretching movement.

### TECHNICAL SPECIFICATIONS

#### NOMINAL DIAMETER

NPS 1/2 (DN15) - NPS100 (DN2500)

Standard Design : -20°C ~ +200°C  
High Temp. Design : +200°C ~ +816°C  
Cryogenic Design : -196°C

#### PRESSURE RATING

ASME Class 150 to Class 1500  
Other pressure classes up to ASME 2500  
# available upon request

#### MATERIALS

BODY : Carbon Steel, Stainless Steel, Special Material (Duplex, Hastelloy, Monel, Inconel etc.)  
BLIND : Stainless Steel, Special Material (Duplex, Hastelloy, Monel, Inconel etc.)  
MOVING PARTS & SEALING SURFACE are Anti-corrosion Materials

#### FUNCTION

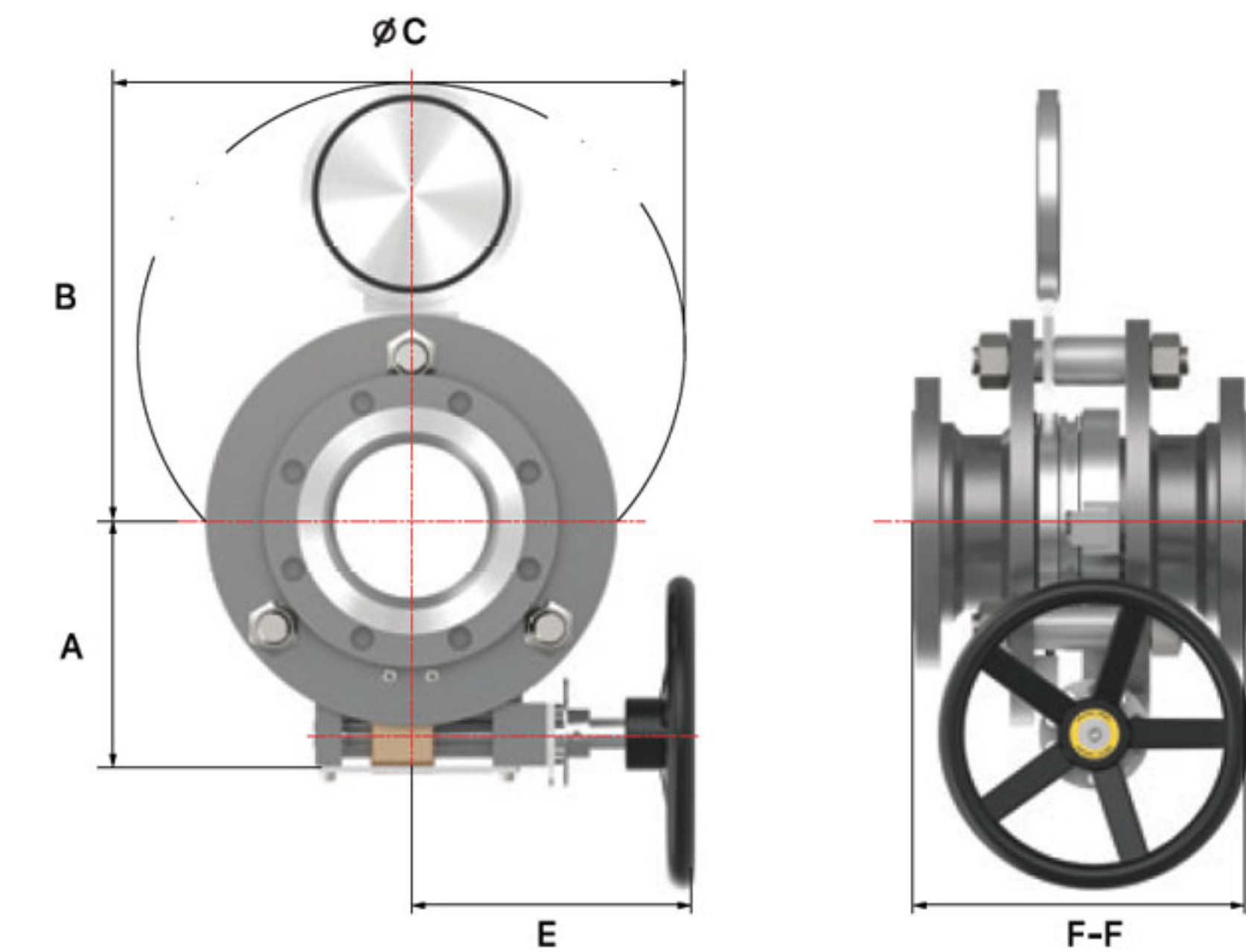
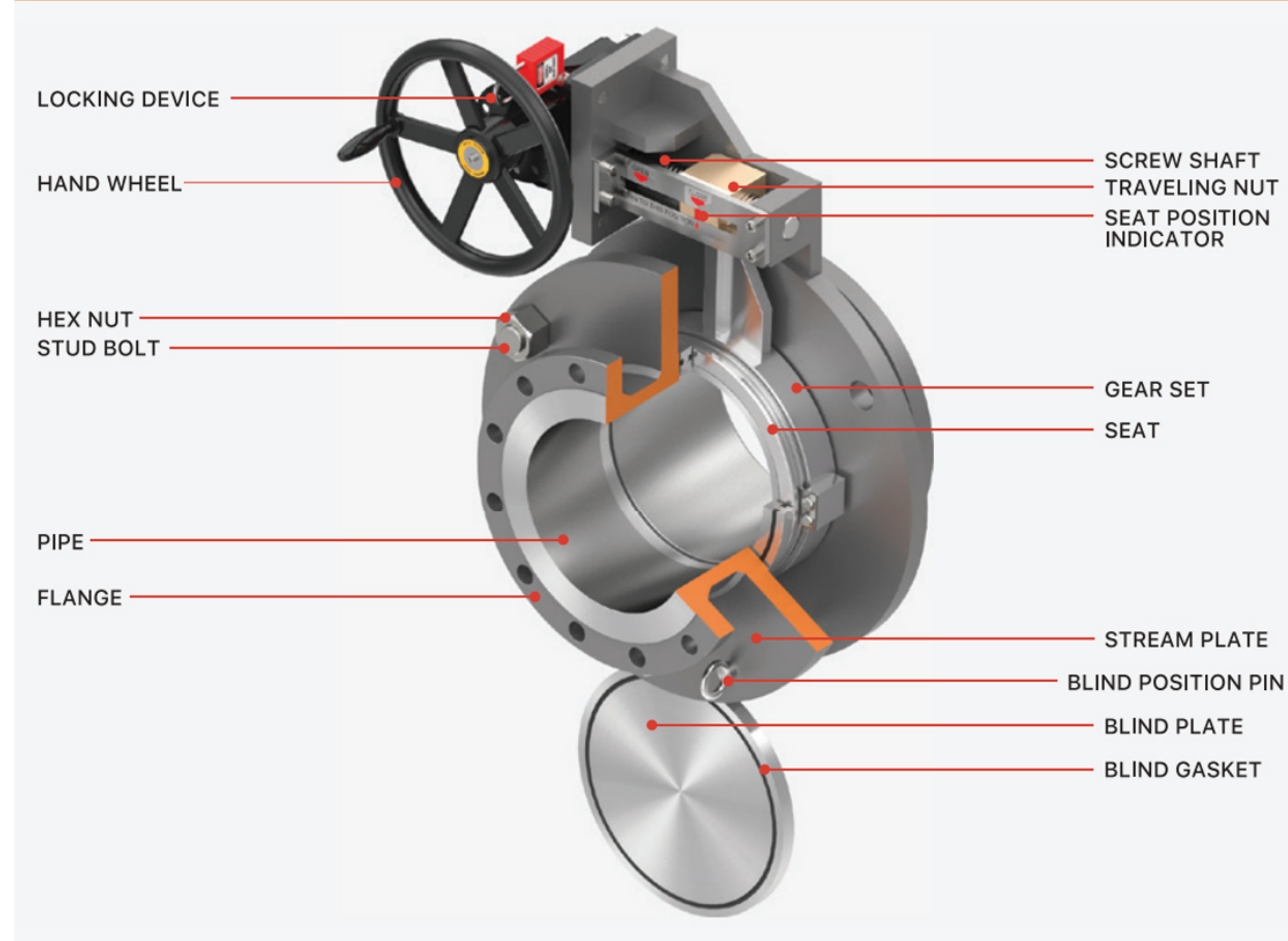
Gas & Liquid Perfect Isolation(Zero Leakage)

#### OPERATION METHOD

Manual Operation  
Electric, Pneumatic or Hydraulic Operation



# SWING TYPE BLIND VALVE



## APPLICATIONS

### • REFINERY

- > Ethylene Furnace
- > Decoking line
- > Steam & Vapor line
- > Flare gas line

### • CHEMICAL PLANT

- > Reactor Blowdown
- > Chemical Cleaning isolation
- > Mixing lines
- > Regeneration gas line
- > Filtration system

### • OFFSHORE

- > FPSO
- > LNG ships
- > Shipboard lines
- > Vessel inlet
- > Inert Gas system

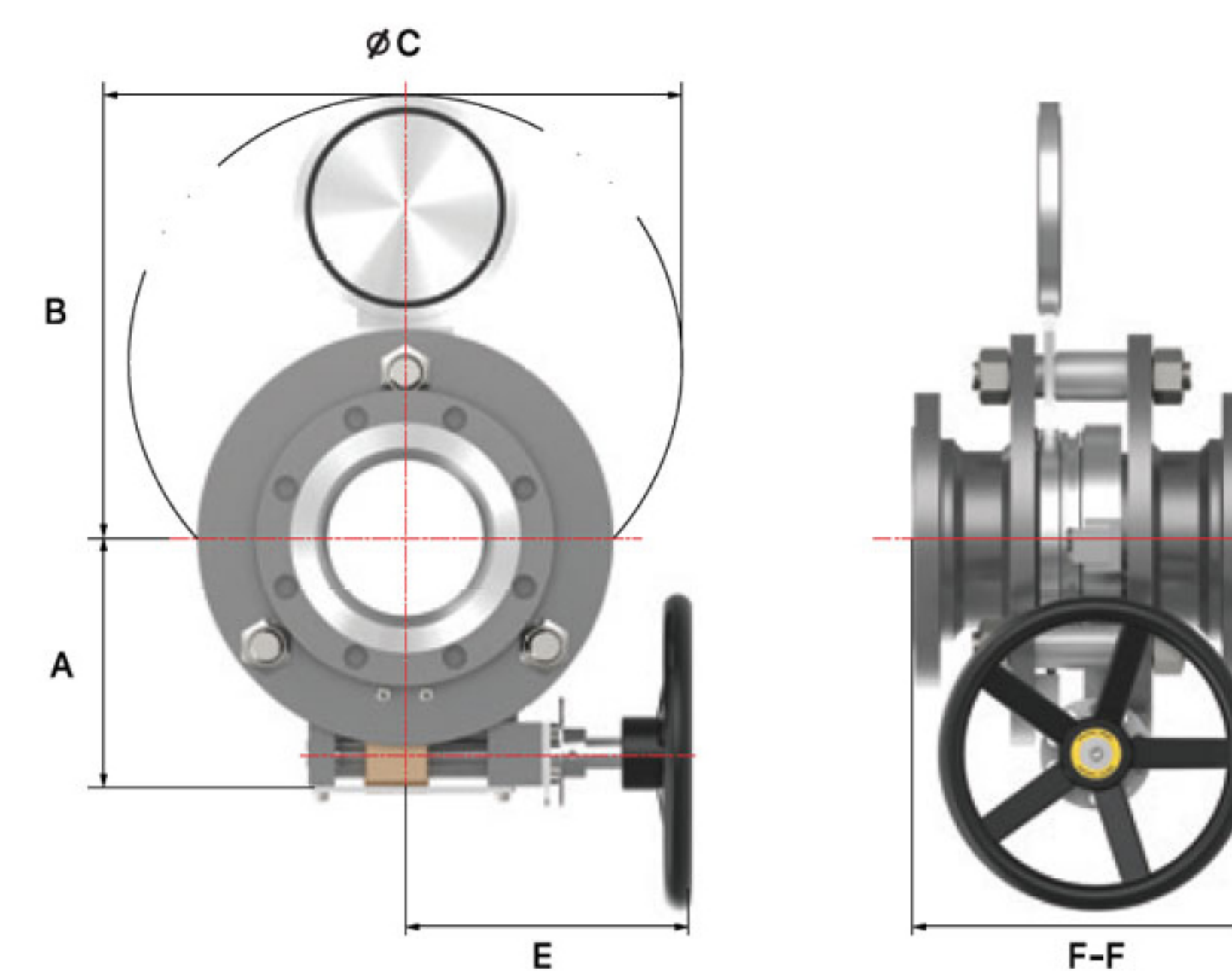
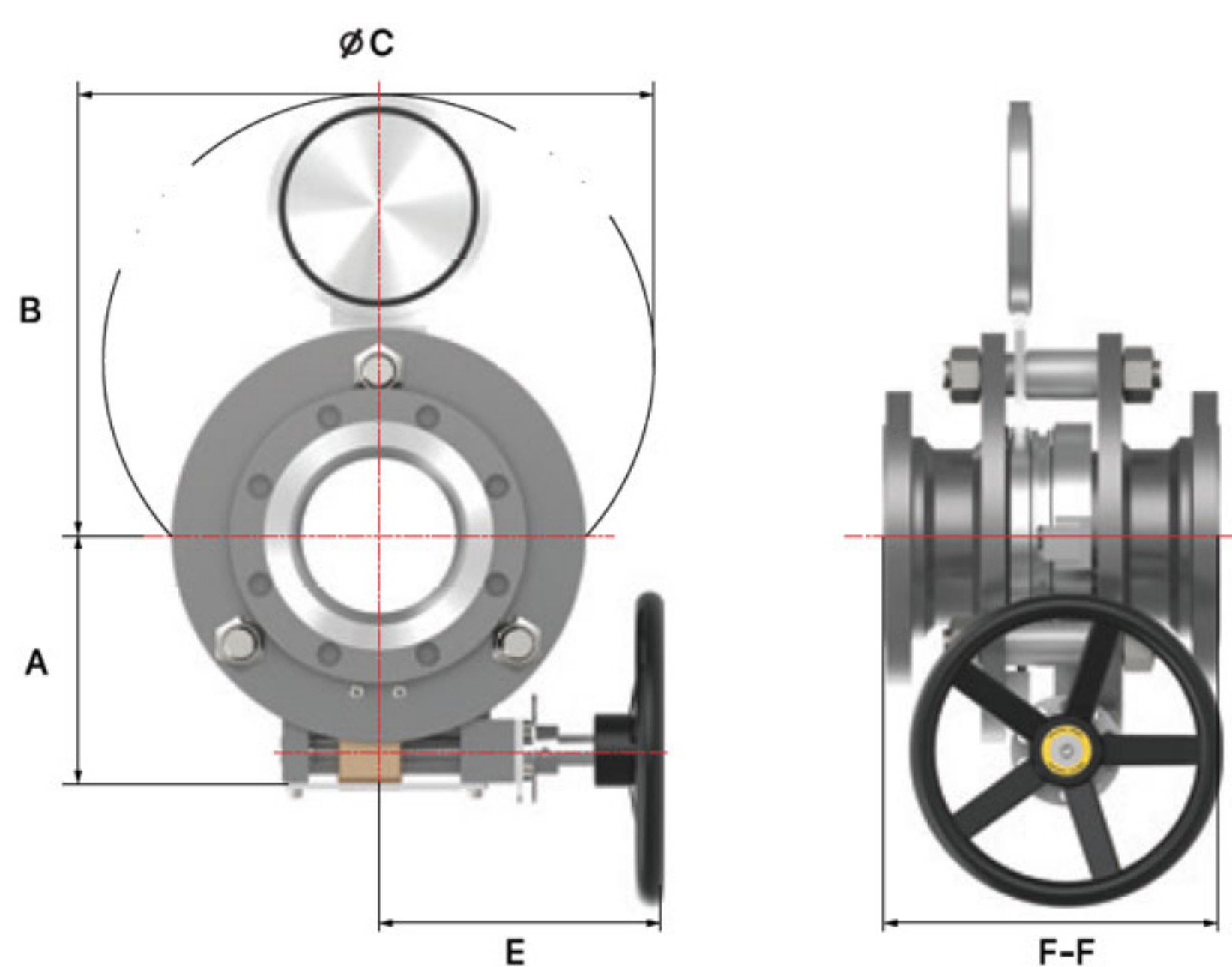
### • STEEL

- > Coke Oven Gas
- > Blast Furnace Gas

## Class 150

Size		F-F	A	B	$\varnothing C$	E	kg
inch	DN						Weight(NET)
1	25	190	90	133	163	145	10
1-1/2	40	200	102	163	201	153	15
2	50	220	125.5	193.4	237.8	188	24
2-1/2	65	240	146.5	220	272	205	30
3	80	250	173	258.5	321	215	35
4	100	250	175	298.5	375	250	54
6	150	300	233	415	520	271	85
8	200	340	331	508	640	414	152
10	250	380	380	602.5	765	373.5	225
12	300	430	410	678	862.5	381	310
14	350	470	475	748.3	949	425	520
16	400	540	513	848.5	1081	435	600
18	450	580	600	925.8	1183.9	515	750
20	500	660	659	1055	1340	546.1	1500
24	600	800	770	1235	1573	664	2300

# SWING TYPE BLIND VALVE



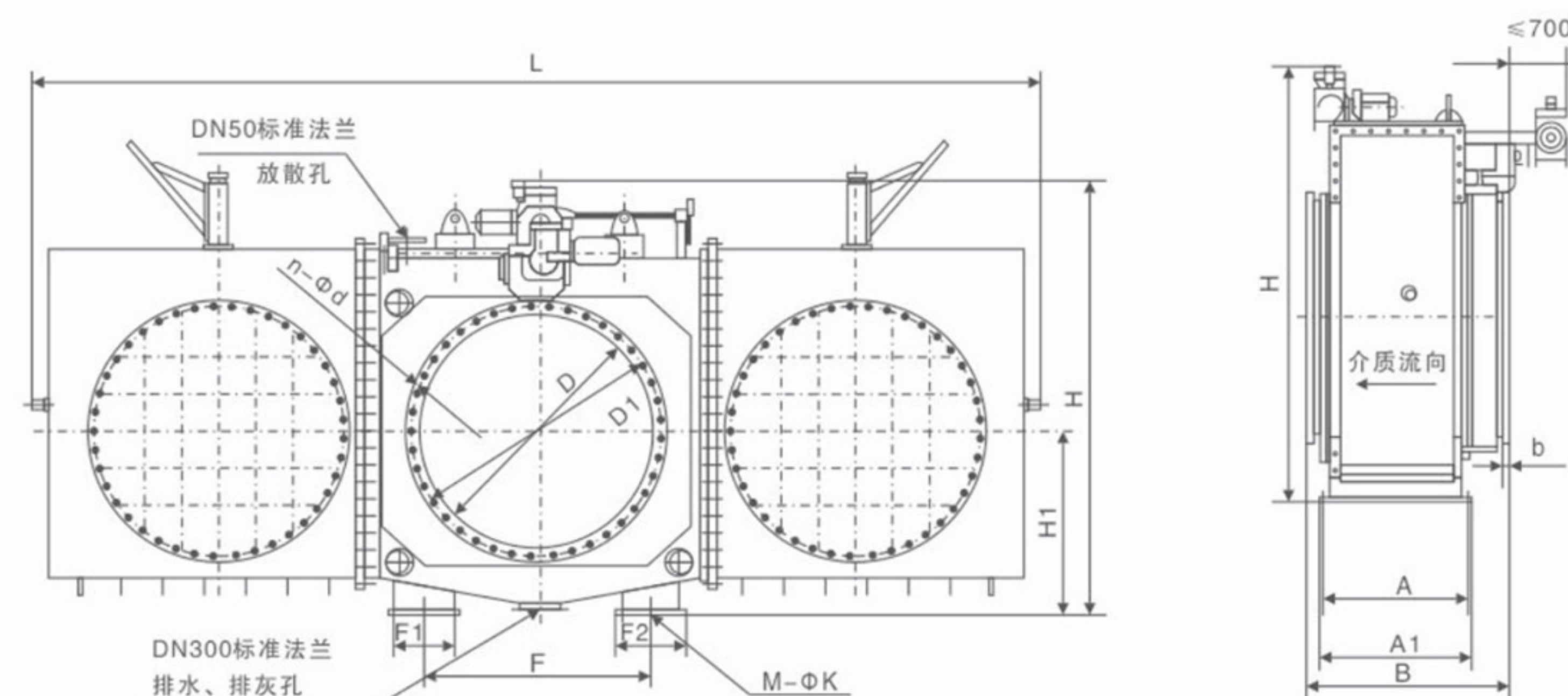
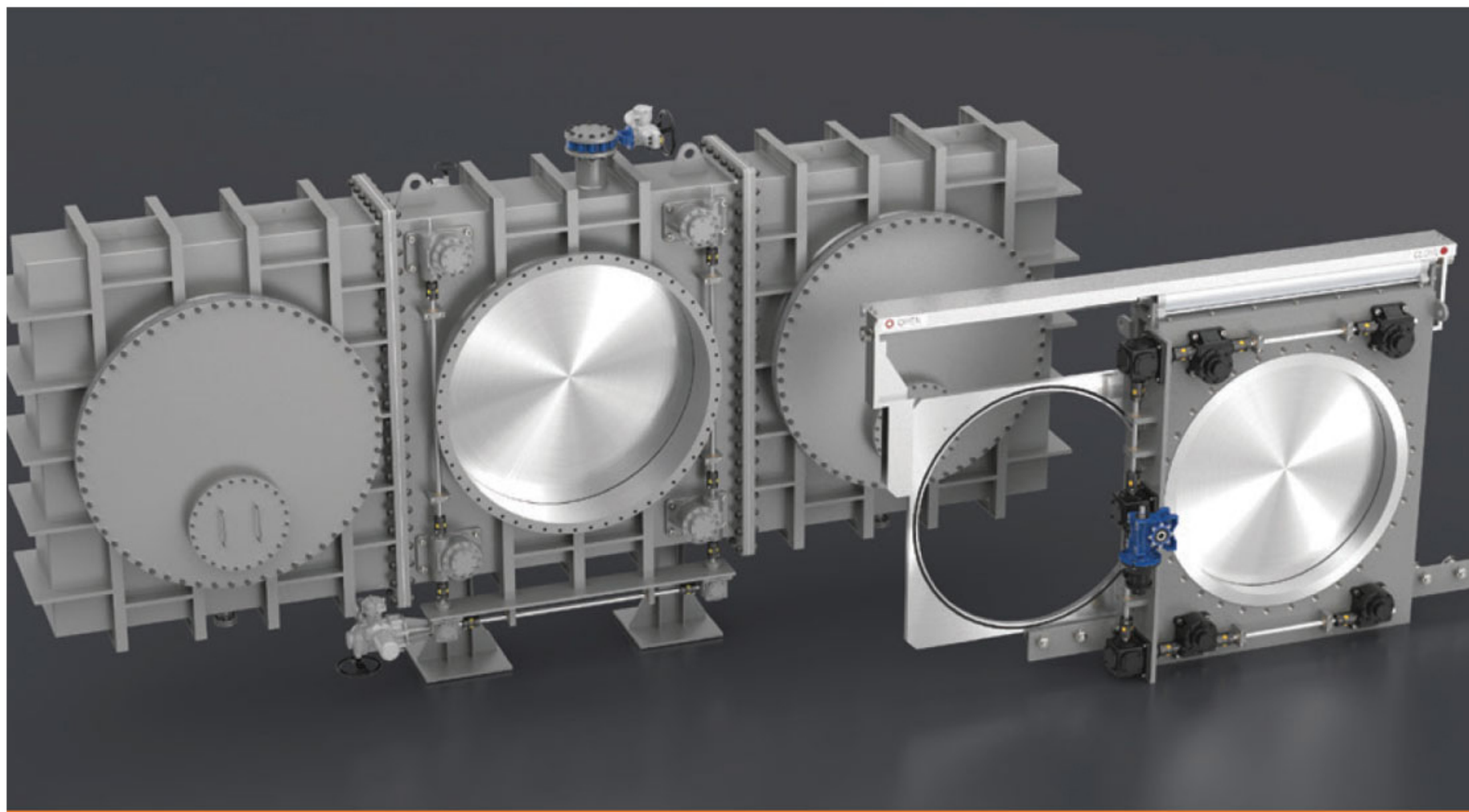
## Class 300

Size		F-F	A	B	ø C	E	kg
inch	DN						Weight(NET)
1	25	200	90	133	163	145	11
1-1/2	40	230	115.6	163.4	201.5	160	18
2	50	240	127.3	193.7	238	200	30
2-1/2	65	270	135	220.3	272.4	220	35
3	80	300	173	263.1	327.1	225	45
4	100	320	189	297	372	230	81
6	150	410	260	409	514	272	120
8	200	450	350	508	640	340	210
10	250	500	406	609.5	769	375	310
12	300	570	481	716	909.5	394	450
14	350	620	481	781.5	986	435	650
16	400	660	514.9	871.9	1104.2	458.6	950
18	450	720	600	965.1	1229.8	520	1200
20	500	780	700	1058	1350	530	1800
24	600	870	780	1235	1573	670	3000

## Class 600

Size		F-F	A	B	ø C	E	kg
inch	DN						Weight(NET)
1	25	210	90	133	163	145	12
1-1/2	40	260	115.6	163.4	201.5	160	20
2	50	280	127.3	193.7	238	200	35
2-1/2	65	300	135	220.3	272.4	220	40
3	80	360	173	263.1	327.1	225	65
4	100	410	189	297	372	230	70
6	150	500	260	409	514	272	160
8	200	570	350	508	640	340	260
10	250	630	406	609.5	769	375	370
12	300	690	481	716	909.5	394	520
14	350	770	481	781.5	986	435	640
16	400	880	514.9	871.9	1104.2	458.6	850
18	450	900	600	965.1	1229.8	520	1180
20	500	990	700	1058	1350	530	2230
24	600	1100	780	1235	1573	670	3630

# GOGGLE TYPE BLIND VALVE



## GOGGLE TYPE GENERAL INFORMATION

### INSTRUCTION & FEATURES

Goggle type line blind is a good solution to isolate large diameter, high temperature and/or toxic gas pipelines for maintenance and inspection.

### TECHNICAL SPECIFICATIONS

#### NOMINAL DIAMETER

NPS 24 (DN600) - NPS100 (DN2500)

#### TEMPERATURE RANGE

Standard Design :  $-20^{\circ}\text{C} \sim +200^{\circ}\text{C}$   
High Temp. Design :  $+200^{\circ}\text{C} \sim +816^{\circ}\text{C}$   
Cryogenic Design :  $-196^{\circ}\text{C}$

#### PRESSURE RATING

ASME Class 150 to Class 1500

#### MATERIALS

BODY : Carbon Steel, Stainless Steel, Special Material (Duplex, Hastelloy, Monel, Inconel etc.)  
BLIND : Stainless Steel, Special Material (Duplex, Hastelloy, Monel, Inconel etc.)  
MOVING PARTS & SEALING SURFACE are Anti-corrosion Materials

#### FUNCTION

Gas & Liquid Perfect Isolation (Zero Leakage)

#### OPERATION METHOD

Manual Operation  
Electric, Pneumatic or Hydraulic Operation

### APPLICATIONS

- **STEEL**
  - > Coke Oven Gas
  - > Blast Furnace Gas
- **REFINERY**
  - > Flare gas line
  - > LPG
- **CHEMICAL PLANT**
  - > Chemical Cleaning isolation
  - > Filtration system
  - > Transfer line

DN	D	D <sub>1</sub>	B	b	n-φd	H	H <sub>1</sub>	L	A	A <sub>1</sub>	F	F <sub>1</sub>	F <sub>2</sub>	M-φK	功率 (KW)		重量 (kg)			
															走板	夹板	PN0.05	PN0.10	PN0.15	PN0.25
400	540	495	600	18	16-φ22	1250	510	2420	600	680	500	160	220	4-φ23	1.1	1.5	1080	1210		
450	595	550	600	18	16-φ22	1380	560	2480	600	680	500	160	220	4-φ23	1.1	1.5	1160	1250		
500	645	600	600	18	20-φ22	1600	600	2610	600	680	500	160	220	4-φ23	1.1	1.5	1250	1300		
600	755	705	800	24	20-φ26	1750	680	2720	600	680	900	280	340	8-φ23	1.1	1.5	1315	1450		
700	860	810	800	24	24-φ26	1884	720	2815	600	680	950	280	340	8-φ23	1.1	1.5	1585	1700		
800	975	920	800	24	24-φ30	1970	800	3115	600	680	1045	280	340	8-φ23	1.5	2.2	1870	2050		
900	1075	1020	800	24	24-φ30	2086	880	3640	600	680	1250	280	340	8-φ23	2.2	2.2	2350	2550		
1000	1175	1120	800	24	28-φ30	2250	960	3940	820	910	1250	280	340	8-φ23	2.2	2.2	2850	3050		
1200	1375	1320	1200	26	32-φ30	2837	1165	5930	1100	1180	1060	480	560	8-φ33	1.1	1.5	3537	3720		
1400	1575	1520	1200	26	36-φ30	3057	1285	6530	1100	1220	1400	480	560	8-φ33	1.1	1.5	4370	4800		
1600	1790	1730	1200	32	40-φ30	3257	1385	7130	1100	1180	1560	480	560	8-φ33	1.5	2.2	5200	5700		
1800	1990	1930	1400	32	44-φ30	3400	1428	7730	1100	1180	1750	230	560	8-φ33	2.2	2.2	5940	6430		
2000	2190	2130	1400	32	48-φ30	4010	1850	8400	1200	1280	1800	230	560	8-φ33	2.2	2.2	7180	7850		
2200	2405	2340	1600	32	52-φ30	4110	1950	9050	1200	1280	1900	230	560	8-φ33	2.2	2.2	8430	9250		
2400	2605	2540	1600	32	56-φ33	4365	2050	9600	1200	1280	2360	230	560	8-φ33	2.2	2.2	9760	10500		
2600	2805	2740	1800	34	60-φ33	4565	2150	10200	1340	2100	2460	300	600	8-φ36	2.2	2.2	1200	13200		
2800	2960	3030	1800	36	64-φ36	4765	2250	10800	1340	2100	2532	300	600	8-φ36	2.2	2.2	1500	16100		

# AUTOMATED BLIND VALVE

# SLURRY/POLYMER TYPE



## AUTOMATED LINE BLIND

### GENERAL INFORMATION

#### INSTRUCTION & FEATURES

Automatic Line Blind is good for remotely controlled blinding operation, high frequency of on-off cycle and/or critical fluid applications. ZZJG's Line Blind provides automated blinding system by AOV, MOV or oil hydraulic source.

#### TECHNICAL SPECIFICATIONS

##### NOMINAL DIAMETER

NPS 1/2 (DN15) - NPS100 (DN2500)

##### TEMPERATURE RANGE

Standard Design : -20°C ~ +200°C  
High Temp. Design : +200°C ~ +816°C  
Cryogenic Design : -196°C

##### PRESSURE RATING

ASME Class 150 to Class 1500  
Other pressure classes up to ASME 2500  
# available upon request

##### MATERIALS

BODY : Carbon Steel, Stainless Steel, Special Material (Duplex, Hastelloy, Monel, Inconel etc.)  
BLIND : Stainless Steel, Special Material (Duplex, Hastelloy, Monel, Inconel etc.)  
MOVING PARTS & SEALING SURFACE are Anti-corrosion Materials

##### FUNCTION

Gas & Liquid Perfect Isolation (Zero Leakage)

#### APPLICATIONS

- |  |   |   |  |  |
|--|---|---|--|--|
| <ul style="list-style-type: none"> <li>• <b>REFINERY</b></li> <li>&gt; Ethylene Furnace</li> <li>&gt; Decoking line</li> <li>&gt; Steam &amp; Vapor line</li> <li>&gt; FCCU Fractionator isolation (overhead &amp; bottom line)</li> <li>&gt; Catalyst service</li> <li>&gt; Flare gas line</li> </ul> | <ul style="list-style-type: none"> <li>• <b>CHEMICAL PLANT</b></li> <li>&gt; Reactor Blowdown</li> <li>&gt; Chemical Cleaning isolation</li> <li>&gt; Mixing lines</li> <li>&gt; Regeneration gas line</li> <li>&gt; Filtration system</li> <li>&gt; Loading station</li> <li>&gt; Transfer line</li> </ul> | <ul style="list-style-type: none"> <li>• <b>OFFSHORE</b></li> <li>&gt; FPSO</li> <li>&gt; LNG ship</li> <li>&gt; Shipboard lines</li> <li>&gt; Vessel inlet</li> <li>&gt; Inert Gas system</li> </ul> | <ul style="list-style-type: none"> <li>• <b>STEEL</b></li> <li>&gt; Coke Oven Gas</li> <li>&gt; Blast Furnace Gas</li> </ul> | <ul style="list-style-type: none"> <li>• <b>POWER PLANT</b></li> <li>&gt; Coke Oven Gas</li> </ul> |
|--|---|---|--|--|

## SLURRY / POLYMER

### GENERAL INFORMATION

#### INSTRUCTION & FEATURES

Slurry / Polymer type line blind offers perfect isolation for viscous fluid or liquid-solid mixture application. ZZJG's dual-gear-set provides complete blinding without friction of the line, and specially designed scraper removes debris on blind plate.

#### TECHNICAL SPECIFICATIONS

##### NOMINAL DIAMETER

NPS 1 (DN25) - NPS100 (DN2500)

##### TEMPERATURE RANGE

Standard Design : -20°C ~ +200°C  
High Temp. Design : +200°C ~ +816°C  
Cryogenic Design : -196°C

##### PRESSURE RATING

ASME Class 150 to Class 1500

##### MATERIALS

BODY : Carbon Steel, Stainless Steel, Special Material (Duplex, Hastelloy, Monel, Inconel etc.)  
BLIND : Stainless Steel, Special Material (Duplex, Hastelloy, Monel, Inconel etc.)  
MOVING PARTS & SEALING SURFACE are Anti-corrosion Materials

##### FUNCTION

Gas & Liquid Perfect Isolation (Zero Leakage)

##### OPERATION METHOD

Manual Operation  
Electric, Pneumatic or Hydraulic Operation

#### APPLICATIONS

- |   |  |
|---|--|
| <ul style="list-style-type: none"> <li>• <b>CHEMICAL PLANT</b></li> <li>&gt; Slurry (HDPE, LDPE, PE, PP)</li> </ul> | <ul style="list-style-type: none"> <li>• <b>MINING &amp; MINERALS</b></li> <li>&gt; Copper, Nickel, Iron Transportation</li> <li>&gt; Corrosive &amp; Caustic Media</li> </ul> |
|---|--|

生产车间

# PRODUCTION WORKSHOP

企业严格控制和把关每一个环节、每一道工序的质量状况。自产品设计就纳入一套极其严谨、精确的程序之中，从设计、选材、制造、组装到运行，每个环节都要经历苛刻的检测程序，严谨的控制，优质的产品，让客户在使用的同时，深切感受到我们严谨务实的品质宗旨.....

The company strictly controls and gate-keeping the quality of each link and each process. Since the product design is included in an extremely rigorous and precise program, from design, material selection, manufacturing, assembly to operation, every step has to undergo a rigorous testing process to control the precision to the most rigorous, and to control the product quality to the best. Let customers feel the rigorous and pragmatic quality purpose while using them.

Meets Higher Standards for  
Fluid System Control  
满足流体系统控制更高标准



品质保障

# QUALITY ASSURANCE

Meets Higher Standards for  
Fluid System Control  
满足流体系统控制更高标准



随着科学技术的飞速发展和工业水平的不断提高，对产品机械性能及安全标准提出更高要求。公司在产品研发和品质标准上持续加大投入，实现了从原材料检测、生产过程、产品及应用的全过程质量控制。为企业创新和品质提供更好的保证。

With the rapid development of science and technology and the continuous improvement of the industrial level, higher requirements are imposed on the mechanical properties and safety standards of products. The company continues to increase investment in product development and quality standards, achieving quality control from raw material testing, production processes, products and applications. Provide better guarantees for corporate innovation and quality.



荣誉资质

# HONOR AND QUALIFICATION

Meets Higher Standards for Fluid System Control  
满足流体系统控制更高标准



**营业执照**  
(副本) (1-1)

统一社会信用代码: 91410182096930930W

名称: 郑州精工阀门有限公司  
类型: 有限责任公司(自然人投资或控股)  
法定代表人: 马秀兰  
经营范围: 一般项目: 普通阀门和旋塞制造(不含特种设备制造); 阀门和旋塞销售; 仪器仪表制造; 仪器仪表销售; 仪器仪表修理; 机械加工; 通用设备制造(不含特种设备制造); 通用设备修理; 机械零件加工; 机械零件、零部件销售; 橡胶制品制造; 橡胶制品销售; 特种设备销售; 紧固件制造; 金属结构制造; 金属结构销售; 金属材料销售; 紧固件销售; 金属材料销售; 密封件销售; 消防设备销售; 机械电气设备销售; 五金产品零售; 技术服务、技术开发、技术咨询、技术交流、技术转让、技术推广; 货物进出口; 技术进出口(除依法须经批准的项目外,凭营业执照依法自主开展经营活动); 特种设备设计(依法须经批准的项目,经相关部门批准后方可开展经营活动,具体经营项目以相关部门批准文件或许可证件为准)

注册资本: 壹亿零叁佰壹拾捌万圆整  
成立日期: 2014年04月04日  
住所: 荥阳市高山镇创业路中段

登记机关: 荥阳市市场监督管理局  
2023年08月25日

国家企业信用信息公示系统网址: <http://www.gsxt.gov.cn>  
市场主体应当于每年1月1日至6月30日通过国家企业信用信息公示系统报送公示年度报告  
国家市场监督管理总局监制

**Certificate of Authority to use the Official API Monogram**  
License Number: 609

The American Petroleum Institute hereby grants to ZHENGZHOU JINGGONG VALVE CO., LTD., Chuangye Road, Gaoshan Town, Zhengzhou City, Henan Province, People's Republic of China

the right to use the Official API Monogram™ on manufactured products under the conditions in the official publications of the American Petroleum Institute entitled API Spec Q1™ and API-609 and in accordance with the provisions of the License Agreement.

In all cases where the Official API Monogram is applied, the API Monogram shall be used in conjunction with this certificate number: 609

The American Petroleum Institute reserves the right to revoke this authorization to use the Official API Monogram for any reason satisfactory to the Board of Directors of the American Petroleum Institute.

The scope of this license includes the following: Butterfly Valves - Category B

GMS Exclusions: Servicing

Effective Date: JANUARY 22, 2024  
Expiration Date: JANUARY 22, 2027

To verify the authenticity of this license, go to [www.api.org/compositulid](http://www.api.org/compositulid).

**Certificate of Authority to use the Official API Monogram**  
License Number: 6D

The American Petroleum Institute hereby grants to ZHENGZHOU JINGGONG VALVE CO., LTD., Chuangye Road, Gaoshan Town, Zhengzhou City, Henan Province, People's Republic of China

the right to use the Official API Monogram™ on manufactured products under the conditions in the official publications of the American Petroleum Institute entitled API Spec Q1™ and API-6D and in accordance with the provisions of the License Agreement.

In all cases where the Official API Monogram is applied, the API Monogram shall be used in conjunction with this certificate number: 6D

The American Petroleum Institute reserves the right to revoke this authorization to use the Official API Monogram for any reason satisfactory to the Board of Directors of the American Petroleum Institute.

The scope of this license includes the following: Butterfly Valves - Category B

GMS Exclusions: Servicing

Effective Date: JANUARY 22, 2024  
Expiration Date: JANUARY 22, 2027

To verify the authenticity of this license, go to [www.api.org/compositulid](http://www.api.org/compositulid).