



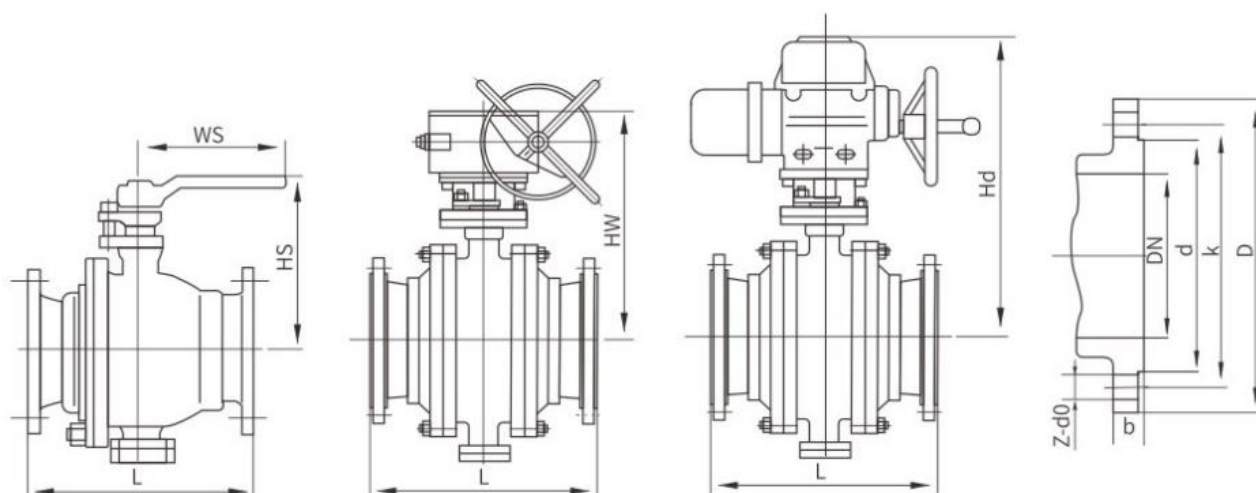
ZZJG VALVE

Trunnion Mounted Ball Valve



ZHENGZHOU JINGGONG VALVE CO., LTD

Trunnion Mounted Ball Valve



Q47F/H-16/25/40/64 DN50~DN1400 2"~56" Class150/Class300/Class400

Trunnion Mounted Ball Valve

DN(mm)	L	D	K	d	b	Z-d0	Ws	Hs	Hw	Hd
PN16										
50	203	160	125	100	16	4-Φ18	260	150		
65	222	180	145	120	18	4-Φ18	350	180		
80	241	195	160	135	20	8-Φ18	500	195		
100	305	215	180	155	20	8-Φ18	650	245	310	420
125	356	245	210	185	22	8-Φ18	800	270	330	440
150	394	280	240	210	24	8-Φ23	1000	305	470	540
200	457	335	295	265	26	12-Φ23			520	580
250	533	405	355	320	30	12-Φ25			610	640
300	610	460	410	375	30	12-Φ25			650	690
350	686	520	470	435	34	16-Φ25			740	785
400	762	580	525	485	36	16-Φ30			795	830
450	864	640	585	545	40	20-Φ30			860	910
500	914	705	650	608	44	20-Φ34			945	990
600	1067	840	770	718	48	20-Φ41			1040	1090
700	1245	910	840	788	50	24-Φ41			1150	1210
800	1372	1020	950	898	52	24-Φ41			1280	1340
900	1524	1120	1050	998	54	28-Φ41			1430	1510
1000	1753	1255	1170	1110	56	28-Φ48			1580	1640
1200	2032	1485	1390	1325	58	32-Φ54			1810	1910
1400	2300	1685	1590	1525	60	36-Φ54			2010	2115
PN25										
50	203	160	125	100	20	4-Φ18	260	150		
65	222	180	145	120	22	8-Φ18	350	180		
80	241	195	160	135	22	8-Φ18	500	195		
100	305	230	190	160	24	8-Φ23	650	245	310	420
125	356	270	220	188	28	8-Φ25	800	270	330	440
150	394	300	250	218	30	8-Φ25	1000	305	470	555
200	457	360	310	278	34	12-Φ25			540	595

250	533	425	370	332	36	12-Φ30			630	655
300	610	485	430	390	40	16-Φ30			650	705
350	686	550	490	448	44	16-Φ34			740	795
400	762	610	550	505	48	16-Φ36			795	830
450	864	660	600	555	50	20-Φ36			860	910
500	914	730	660	610	52	20-Φ41			945	990
600	1067	840	770	718	56	20-Φ41			1040	1090
700	1245	955	875	815	60	24-Φ48			1150	1210
800	1372	1070	990	930	64	24-Φ48			1305	1340
900	1524	1180	1090	1025	66	28-Φ54			1505	1600
1000	1753	1305	1210	1140	68	28-Φ58			1615	1705
1200	2032	1525	1420	1350	72	32-Φ58			1925	2035
1400	2300	1750	1640	1560	78	36-Φ65			2110	2185
PN40										
50	216	160	125	100	20	4-Φ18	260	150		
65	241	180	145	120	22	8-Φ18	350	180		
80	283	195	160	135	22	8-Φ18	500	195		
100	305	230	190	160	24	8-Φ23	800	250	320	430
125	381	270	220	188	28	8-Φ25	1000	280	340	450
150	403	300	250	218	30	8-Φ25	1000	360	485	590
200	502	375	320	282	38	12-Φ30			580	640
250	568	445	385	345	42	12-Φ34			665	680
300	648	510	450	408	46	16-Φ34			760	810
350	762	570	510	465	52	16-Φ36			820	890
400	838	655	585	535	58	16-Φ41			860	940
450	914	680	610	560	60	20-Φ41			930	1010
500	991	755	670	612	62	20-Φ48			980	1130
600	1143	890	795	730	62	20-Φ54			1040	1090
700	1346	995	900	835	68	24-Φ54			1150	1210
800	1524	1135	1030	960	76	24-Φ58			1305	1340
900	1727	1270	1168	1022	105	32-Φ54			1505	1600
1000	1880	1238	1156	1086	114	32-Φ44			1615	1705
1200	2184	1467	1372	1302	133	32-Φ51			1925	2035
PN64										
50	292	175	135	105	26	4-Φ23	260	160		
65	330	200	160	130	28	8-Φ23	350	180		
80	356	210	170	140	30	8-Φ23	500	220		
100	406	250	200	168	32	8-Φ25	800	250	320	430
125	508	295	240	202	36	8-Φ30	1000	295	340	450
150	495	340	280	240	38	8-Φ34	1200	360	485	590
200	597	405	345	300	44	12-Φ36			580	650
250	673	470	400	352	48	12-Φ41			665	720
300	762	530	460	412	54	16-Φ41			760	840
350	826	595	525	475	60	16-Φ41			820	930
400	902	670	585	525	66	16-Φ48			870	990
500	1054	800	705	640	70	20-Φ54			995	1150

600	1232	930	820	750	76	20-Φ58			1100	1180
700	1397	1035	940	800	95	28-Φ51			1180	1230
800	1651	1149	1054	914	108	28-Φ54			1345	1385
900	1880	1270	1168	1022	114	32-Φ54			1550	1655
1000	1981	1270	1175	1092	133	32-Φ51			1675	1745
1200	2311	1511	1403	1308	152	28-Φ60			1945	2075

The company strictly controls and gate-keeping the quality of each link and each process.since the product design is included in an extremely rigorous and precise program,from design,material selection, manufacturing,assembly to operation,every step has to undergo a rigorous testing process to control the precision to the most rigorous,and to control the product quality to the best.Let customers feel the rigorous and pragmatic quality purpose while using them.



CONTACT US!

ZHENGZHOU JINGGONG VALVE CO., LTD

Phone: +86-371-55659925

Mobile: 0086 18135671959

Email: info@zzjgvalve.com

Website: www.zzjgvalve.com

Factory Address: Chuangye Road, Gaoshan Town, Zhengzhou City, China